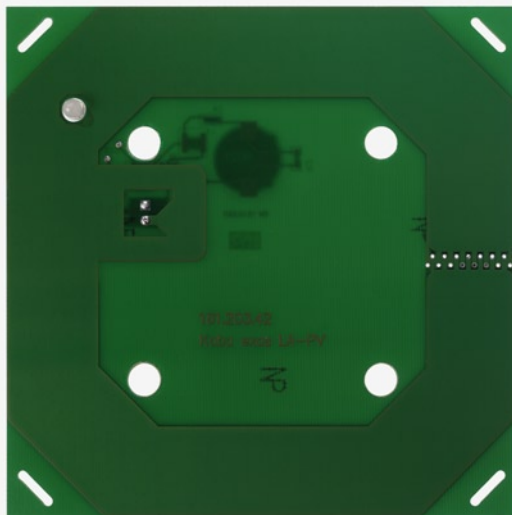


Kaba exos[®] LA-PV Registration unit



Product features

- Flush socket mounting
- Freely selectable design (integration into existing light switch ranges)
- High level of security due to encrypted communication with the interior door manager
- Maximum protection against vandalism and sabotage
- Longer reading distance

The Kaba exos LA-PV registration unit combined with the Kaba exos DML2 door manager is a fully integrated access control solution with simultaneous convenient user identification. This registration unit is suitable for flush socket mounting or installation behind facades. The enhanced reading capability ensures maximum convenience. Installation is very easy due to the simple cabling.

RRM concept (Remote Reader Module)

Free design

The various registration units enable a wide range of designs. All spatial and technical security specifications are taken into account.

Tampering security

The registration units are installed at remote locations away from the door manager. The door manager can be installed in a tamper-proof room irrespective of the location of the registration units.

Manipulation security

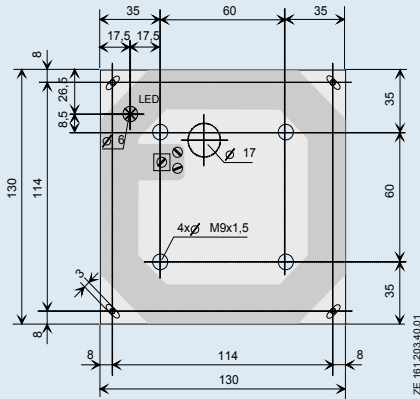
Communication between the registration units and door manager is encrypted and therefore offers maximum security.

Application field

The registration unit is suitable for flush socket mounting or installation behind facades, especially if longer reading distances are required.

Dimensions

130x130x ~11mm (LxWxH)



Central drill hole

- 4 screw thread: M9 x 1.5

Scope of delivery

Registration unit (including LED, buzzer) with a protection varnishing

Suitable housing/covers

Covers from product line UP-IIxII: Feller, EDIZIOdue (Switzerland)
(Article no: 161.270, white; 161.271, light grey; 161.272, anthracite)

Signaling

- Buzzer for acoustic signaling of the access authorization decision
- The registration unit is equipped with a 2-colour LED (red/green)

Door manager

Devices

- Kaba exos DML2 with offline functionality
- Kaba exos LS-110 with offline functionality

Communication

- Coaxial cable 50Ω: RG-178
- LEGIC HF, encrypted
- Acoustic signal transmitter
- Max. length for badges: 25m (recommended < 10m)
- Max. length for Kaba eologic smart key: 15m (recommended < 10m)

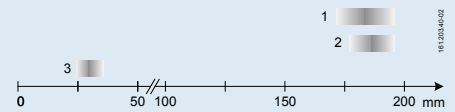
Ambient conditions

- Operating temperature: -20°...+ 60°C
- Storage temperature: -40°...+ 85°C
- Relative humidity: 0%...95%, non-condensing

Reading distances

The reading functions are guaranteed with all Kaba LEGIC media: Badges, keys (Kaba eologic smart key), key fobs, watches etc.

The range of the maximum possible reading distances is shown in the following graphic:



1=Badge, LEGIC prime Supertag

2=Badge, LEGIC ISO 15693

3=Kaba eologic smart key, LEGIC prime

The values are determined under standardized measurement conditions. Detailed information is contained in the product documentation. The reading distances also depend on the installation conditions and the employed media. The writing distances are around five percent shorter than the reading distances.

Standards and Approvals

The registration unit Kaba exos LA-PV is CE approved and complies with the following standards:

EN 300330

ETS 300683



Kaba® and Kaba exos® are registered trademarks of Kaba AG. LEGIC® is a registered trademark of Legic Ident systems.